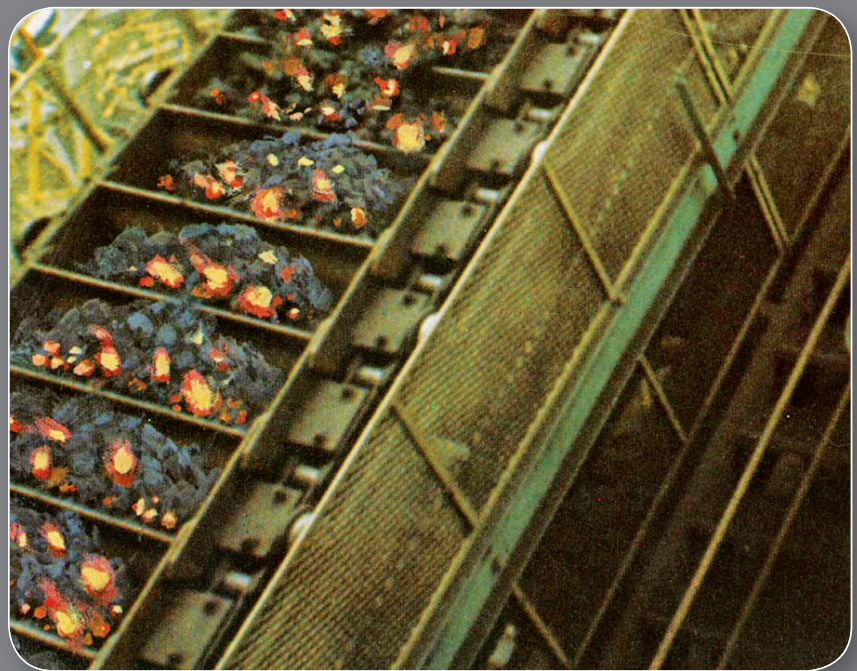




E - Chains for deep-pan conveyors, apron conveyors & flanged rollers





E - Chains for deep-pan conveyors, apron conveyors & flanged rollers

- Block chains
- Scraper chains

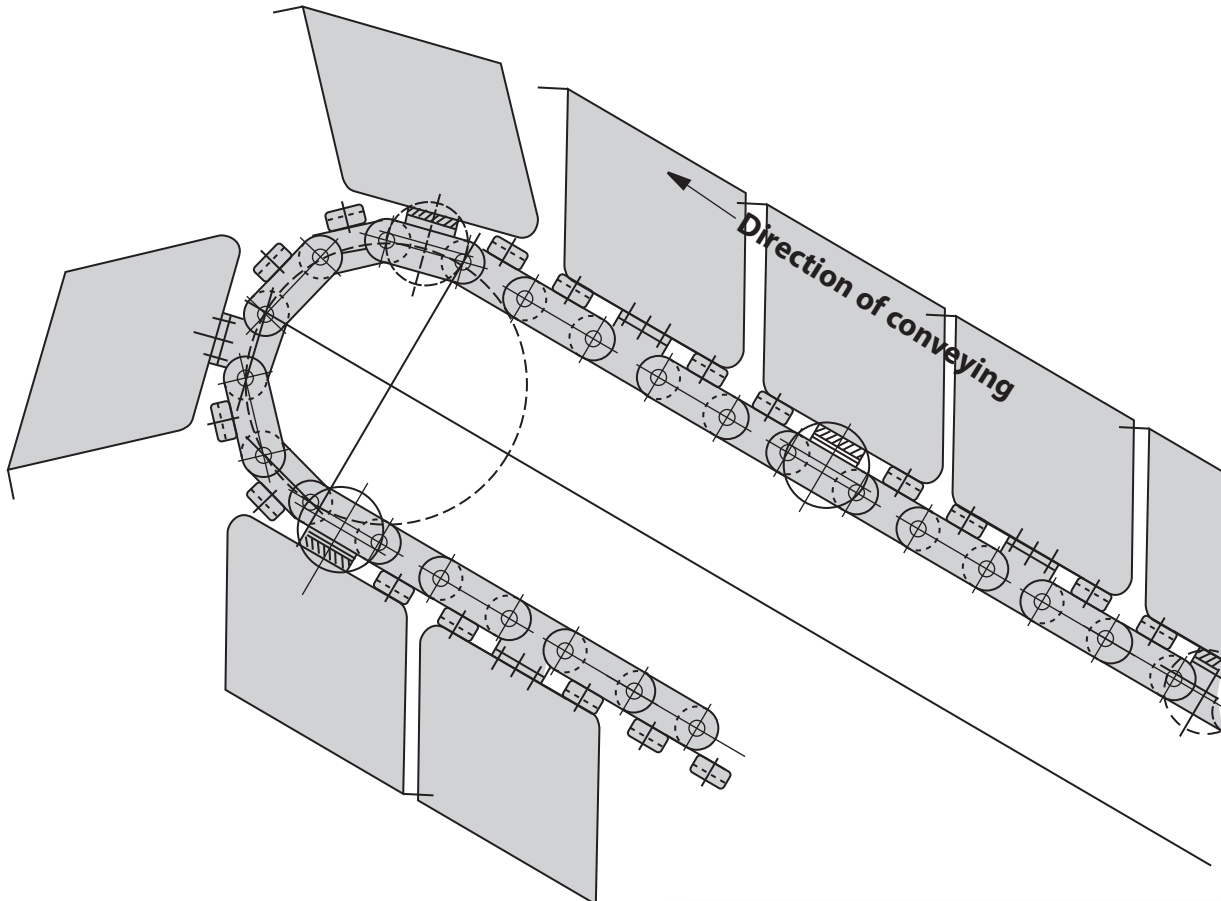
• Scope of some deep-pan conveyor systems	E2 - E5
• Some flanged rollers for deep-pan conveyors	E6
• Examples of chain with forged sidebars	E7 - E9
• Standard flanged rollers for pan-conveyors	E10
• Rails for pan-conveyors	E11
• Some drawings of pan-conveyor chans	E12 - E15
• Some drawings of block chains and scraper-chains	E16 - E19
• Double strand conveyor chains with shafts between strands	E20
• Customer made chains, etc...	E21





Chains for the cement industry

Steel case conveyor with steel link chains



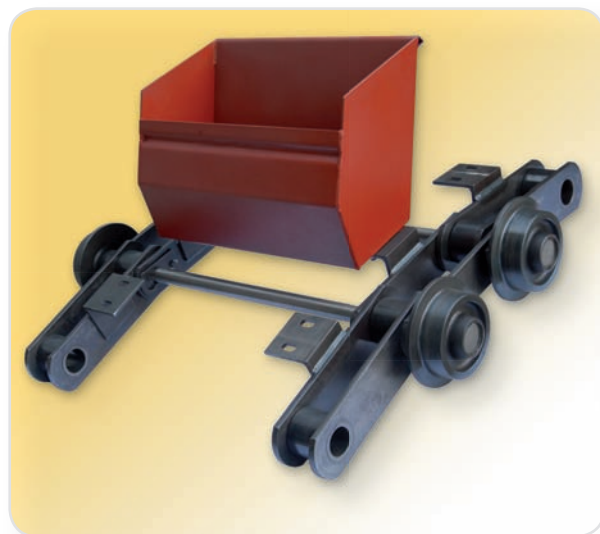
PAN-CONV.etc....

Conveyor angle

Horizontal to 60 deg's depending on material to be conveyed.

Technical data

Pan width:	400, 500, 630, 800, 1000 and 1250 mm
Case height:	200-400 mm
Plate thickness of case:	4 and 5 mm
Chain pitch:	160 mm or other
Case pitch:	480 mm
Flanged roller spacing:	960 mm or other



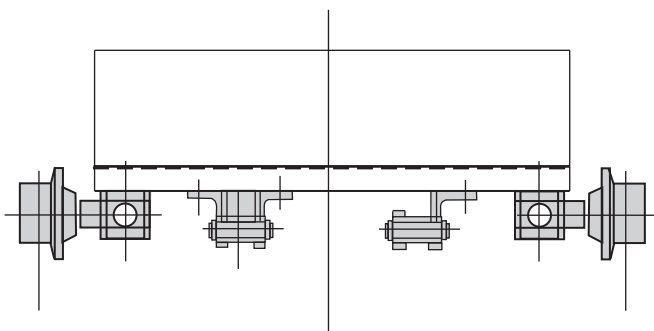
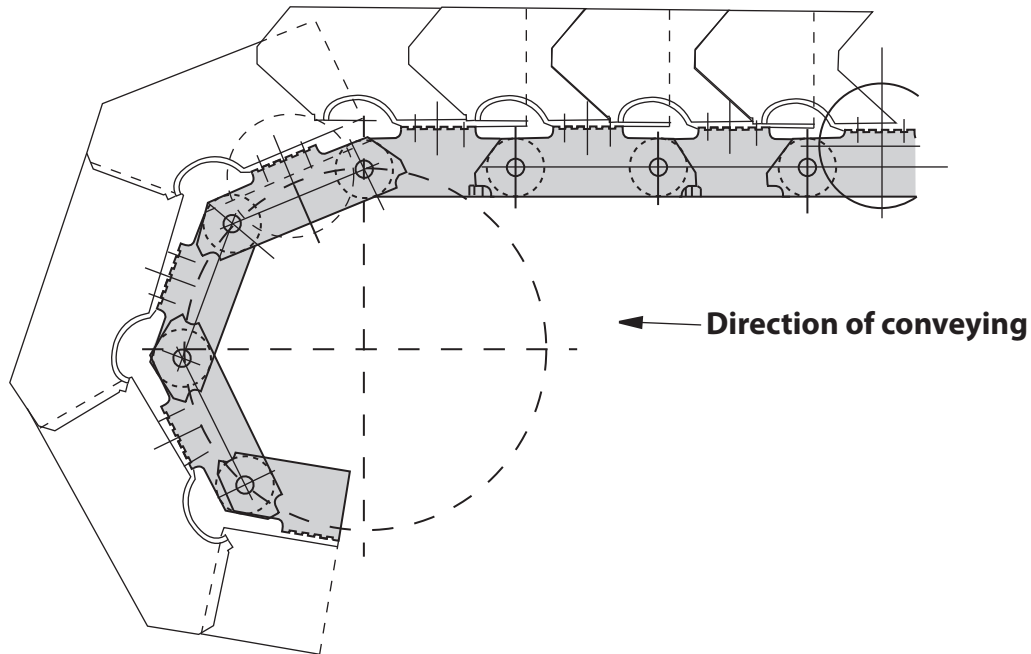
Chains for deep-pan conveyors (Cement Industry)

Chains and wheels for all applications



Chains for the cement industry

Steel cellular conveyor



Diameter and distance apart of the large flanged rollers is dependant on the capacity of the steel band.

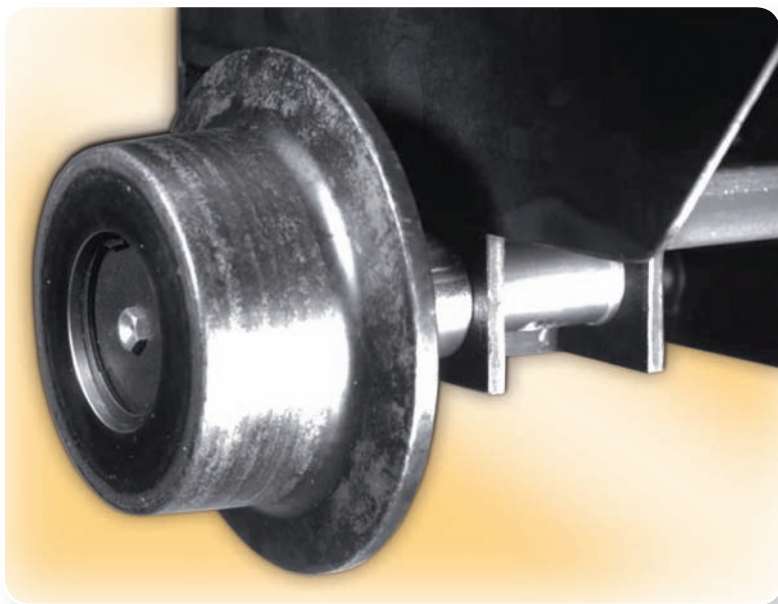
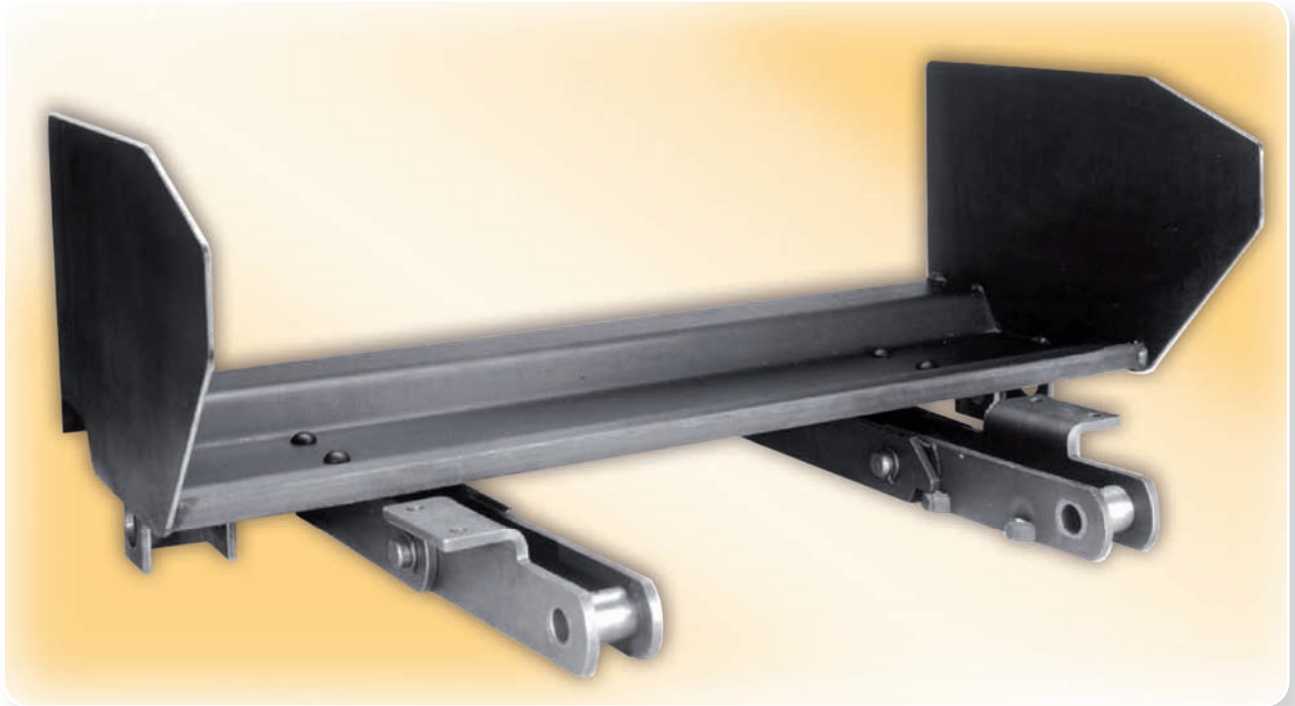
Chains and wheels for all applications

PAN-CONV.etc...



Chains for the cement industry

Steel cell conveyor with guide roller



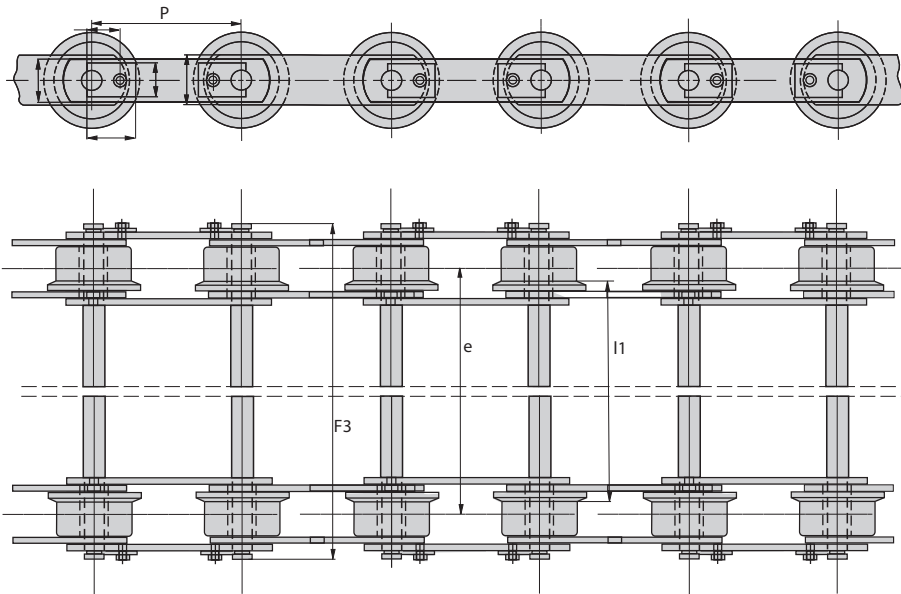
PAN-CONV.etc....

Chains and wheels for all applications

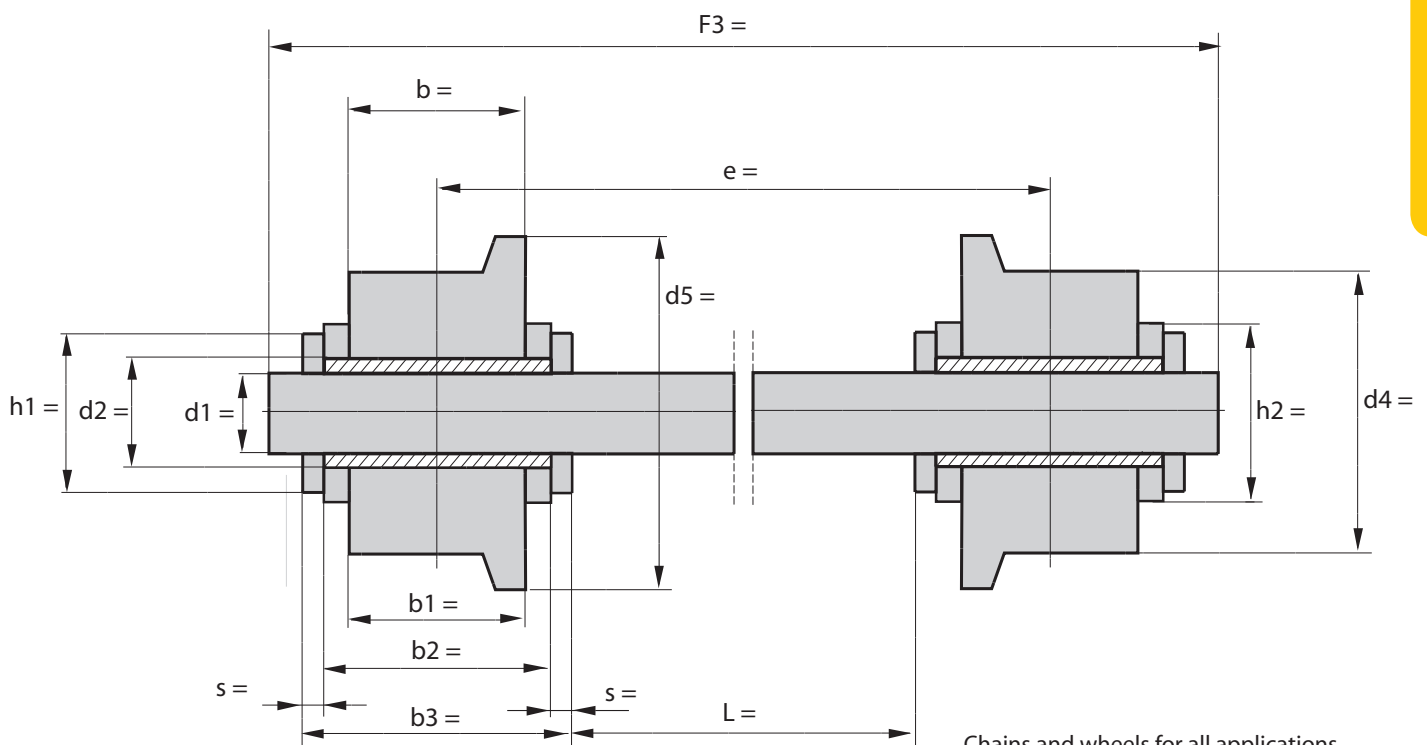


Chains for the cement industry

Double strand conveyor chain



Please mention on this drawing all the required dimensions of your chain and send it together with your enquiry.



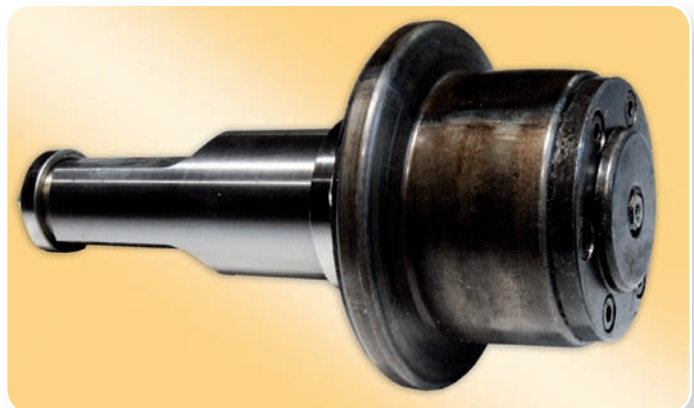
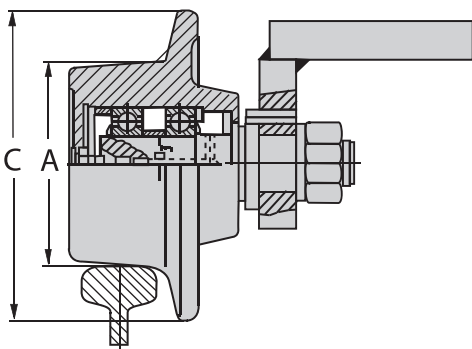
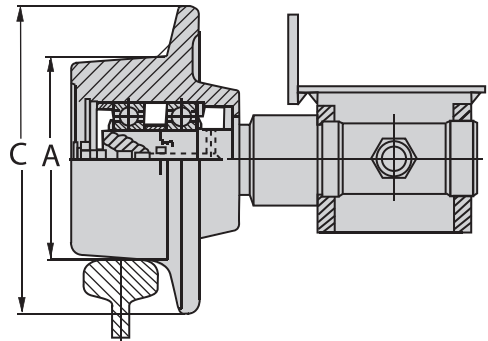
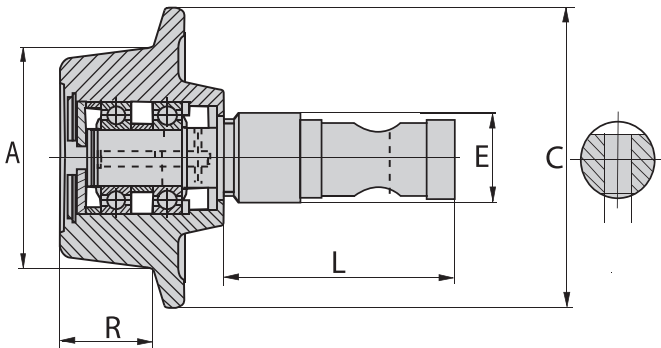
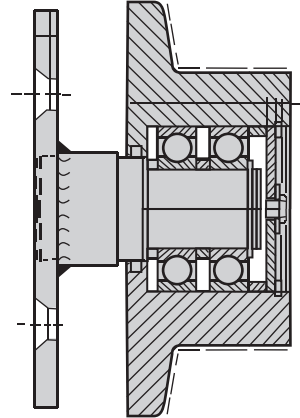
Chains and wheels for all applications

PAN-CONV.etc...



Rollers for the cement industry

Large rollers with pins for steel cellular conveyor

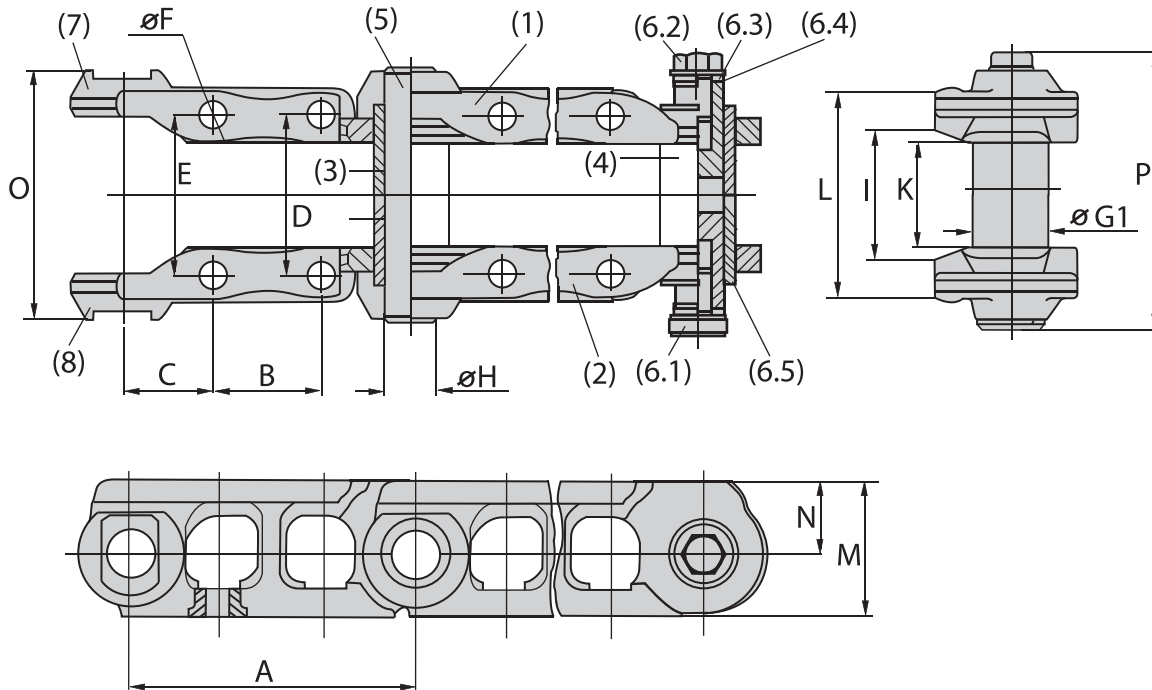


Chains and wheels for all applications

PAN-CONV.etc....



Chains for the cement industry (for apron-conveyors)



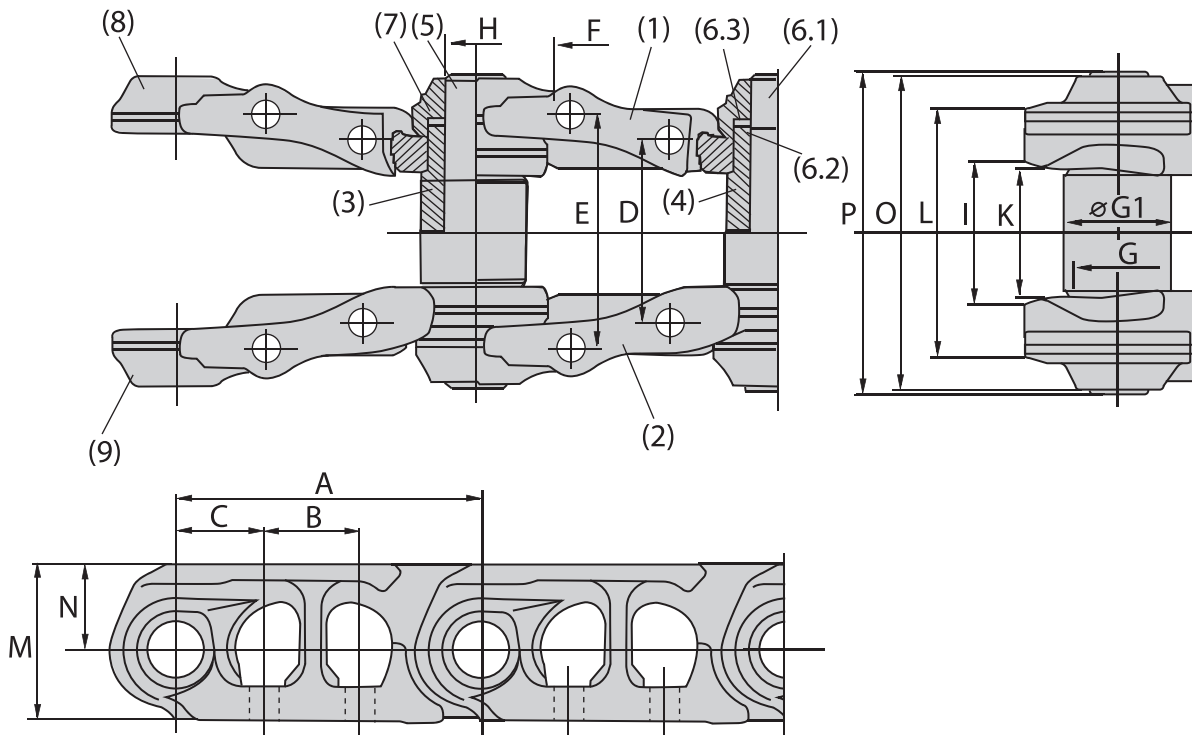
Label	Description	Value	
A	Dimension A	160 mm	6.30 in
B	Dimension B	56 mm	2.20 in
C	Dimension C	52 mm	2.05 in
D	Dimension D	109 mm	4.29 in
E	Dimension E	109 mm	4.29 in
I	Dimension I	75 mm	2.95 in
K	Dimension K	75 mm	2.95 in
L	Dimension L	139 mm	5.47 in
M	Dimension M	83 mm	3.27 in
N	Dimension N	46 mm	1.81 in
O	Dimension O	163 mm	6.42 in
ØF	Diameter F	14.75 mm	0.58 in
ØG1	Diameter G1	45 mm	1.77 in
ØH	Diameter H	30 mm	1.18 in



Apron conveyor chains, roller and buckets.



Chains for the cement industry (for pan-and apron conveyors)



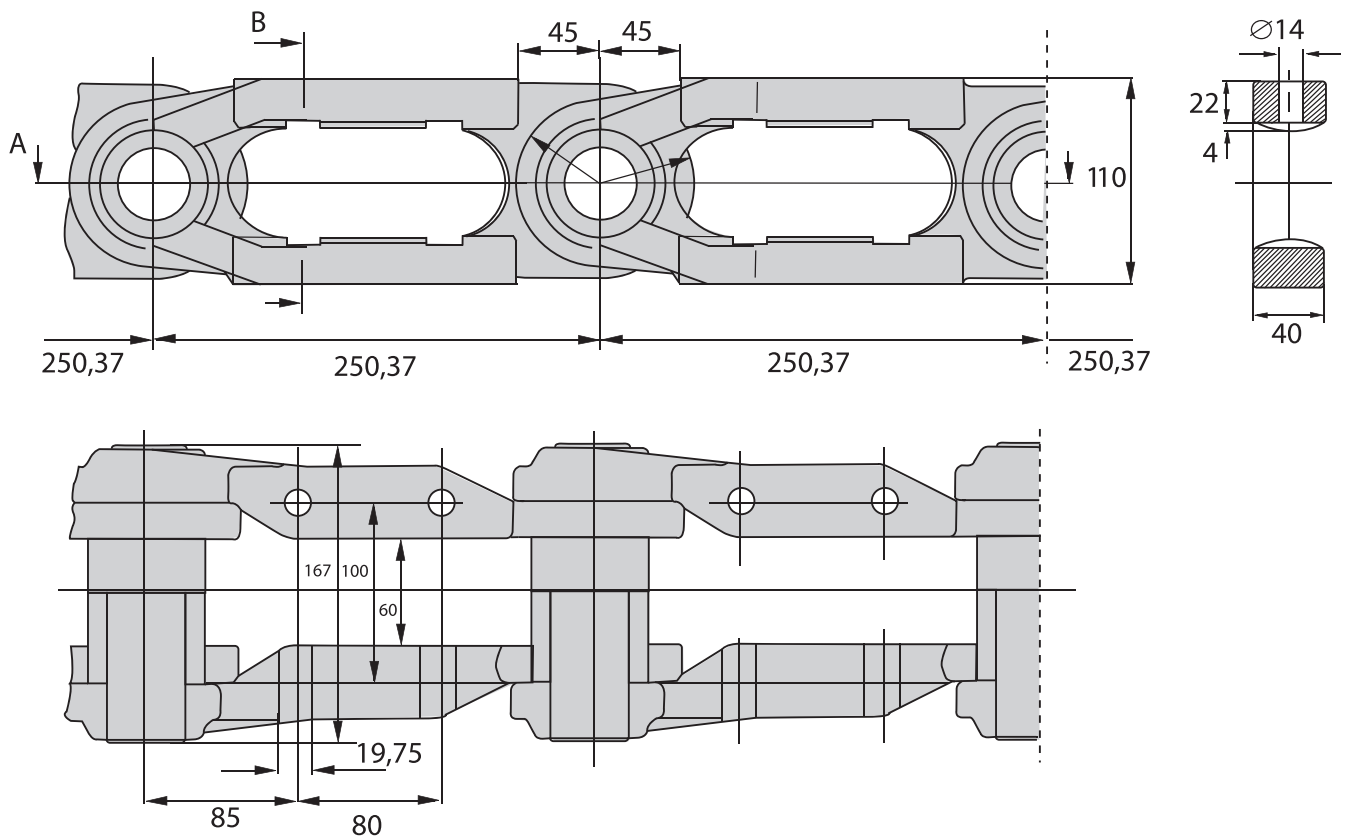
Label	Description	Value	
A	Dimension A	203,2 mm	8,00 in
B	Dimension B	76,2 mm	3,00 in
C	Dimension C	58,74 mm	2,31 in
D	Dimension D	146,05 mm	5,75 in
E	Dimension E	184,15 mm	7,25 in
I	Dimension I	106,5 mm	4,19 in
K	Dimension K	106,5 mm	4,19 in
L	Dimension L	198,5 mm	7,81 in
M	Dimension M	117,5 mm	4,63 in
N	Dimension N	65,1 mm	2,56 in
O	Dimension O	245 mm	9,65 in
P	Dimension P	251 mm	9,88 in
ØF	Diameter F	19,3 mm	0,76 in
ØG1	Diameter G	66,68 mm	2,63 in
ØG1	Diameter G1	66,68 mm	2,63 in
ØH	Diameter H	44,5 mm	1,75 in

The above sketch is shown to interpret the functional dimensions only.

It may not represent the internal configuration on the referenced part.



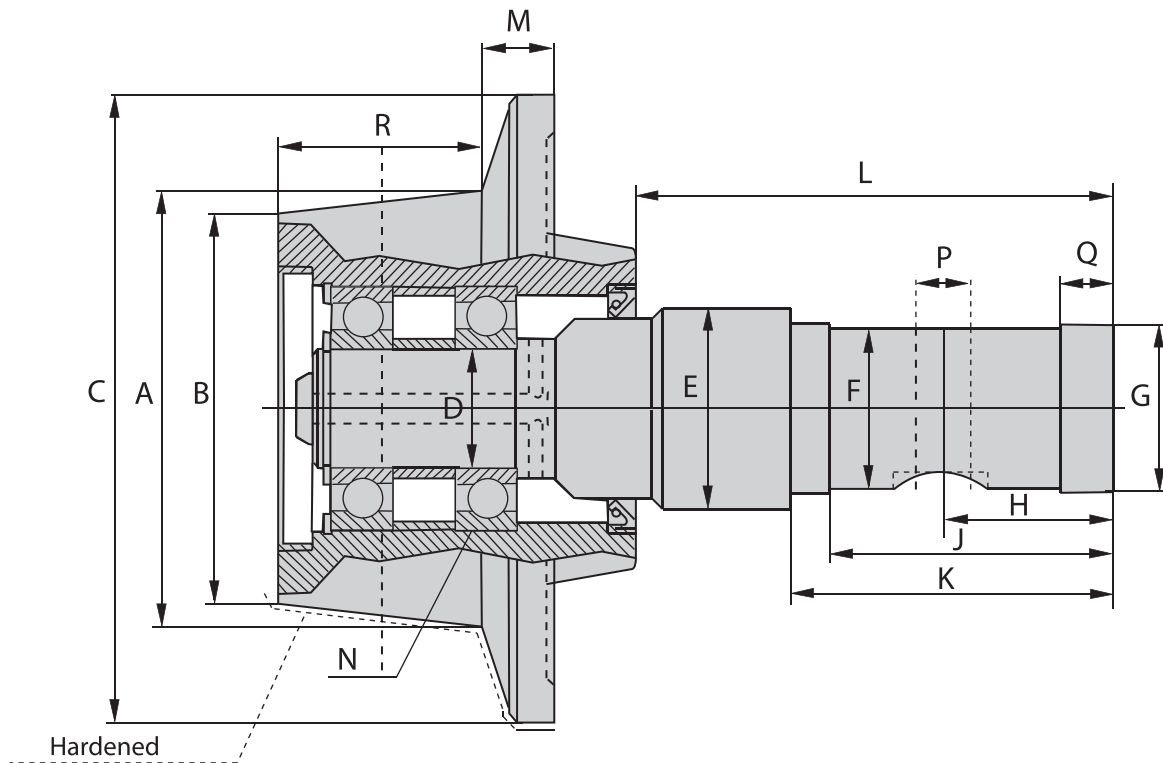
Chains for the cement industry (for pan-conveyors)





Flanged rollers for the cement industry

Flanged roller with shaft (dust-and water-tight)



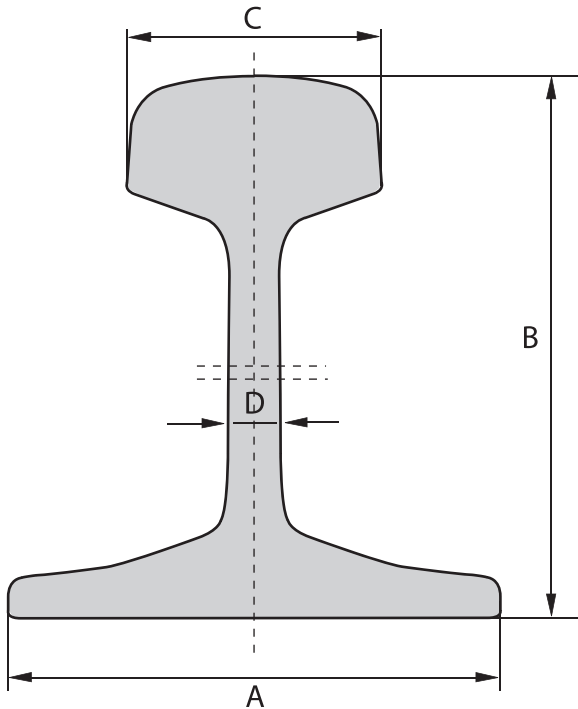
dimensions in mm.
Other dimensions on request.

TYPE	A	B	C	D	E	F	G	H	J	K	L	M	N	P	Q	R
GHR-3	108	108	130	25	40	34	35	36	59	75	85	15	6305-C3	10,5	20	60
GHR-7	110	104	162	30	48	38	40	42	72	83	124	17,5	6206	14	15	49
GHR-9	110	104	162	30	48	-	M24	-	-	46,5	57,5	17,5	6206	-	-	49
GHR-12	168	160	200	30	-	40	42	-	-	-	-	-	-	-	-	-

PAN-CONV.etc...



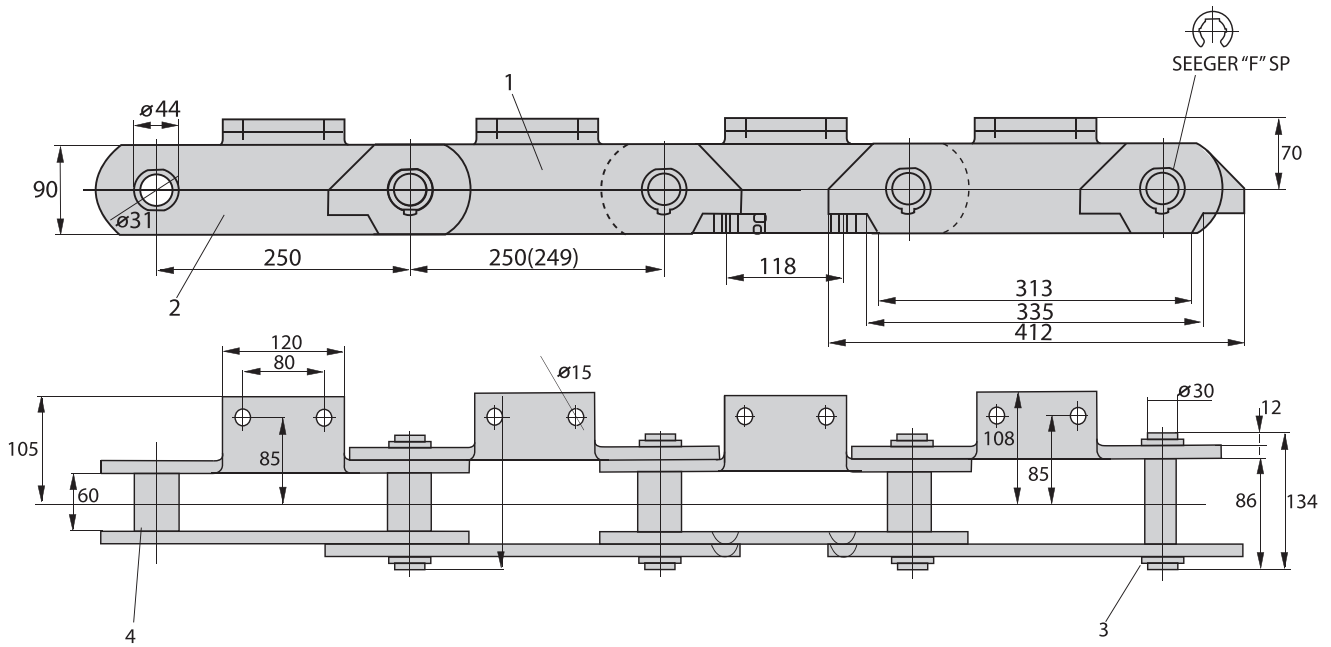
Rails for pan-conveyors



Type	A	B	C	D	Weight kg/m
S7	50	65	25	5	7
S10	58	70	32	6	10
S12	65	80	34	7	12
S14	70	80	38	9	14
S18	82	93	43	10	18,3
S20	82	100	44	10	20
26KG SF	100	110	50	10	25,9
36KG SF	115	128	58,27	13	36,542
50 EB	140	151	72	15	50,1
63 EB	140	151	72	30	62,95
UIC60	150	172	70,6	16,5	60,34
A45 - N°1	125	55	45	24	22,1
A55 - N°2	150	65	55	31	31,8
A65 - N°3	175	75	65	38	43,1
A75 - N°4	200	85	75	45	56,2
A100 - N°5	200	95	100	60	74,3
A120 - N°6	220	105	120	72	100
A150 - N°7	220	150	150	80	150,3
MRS87A	152,4	152,4	101,6	34,93	86,8
MRS125	180	180	120	40	125

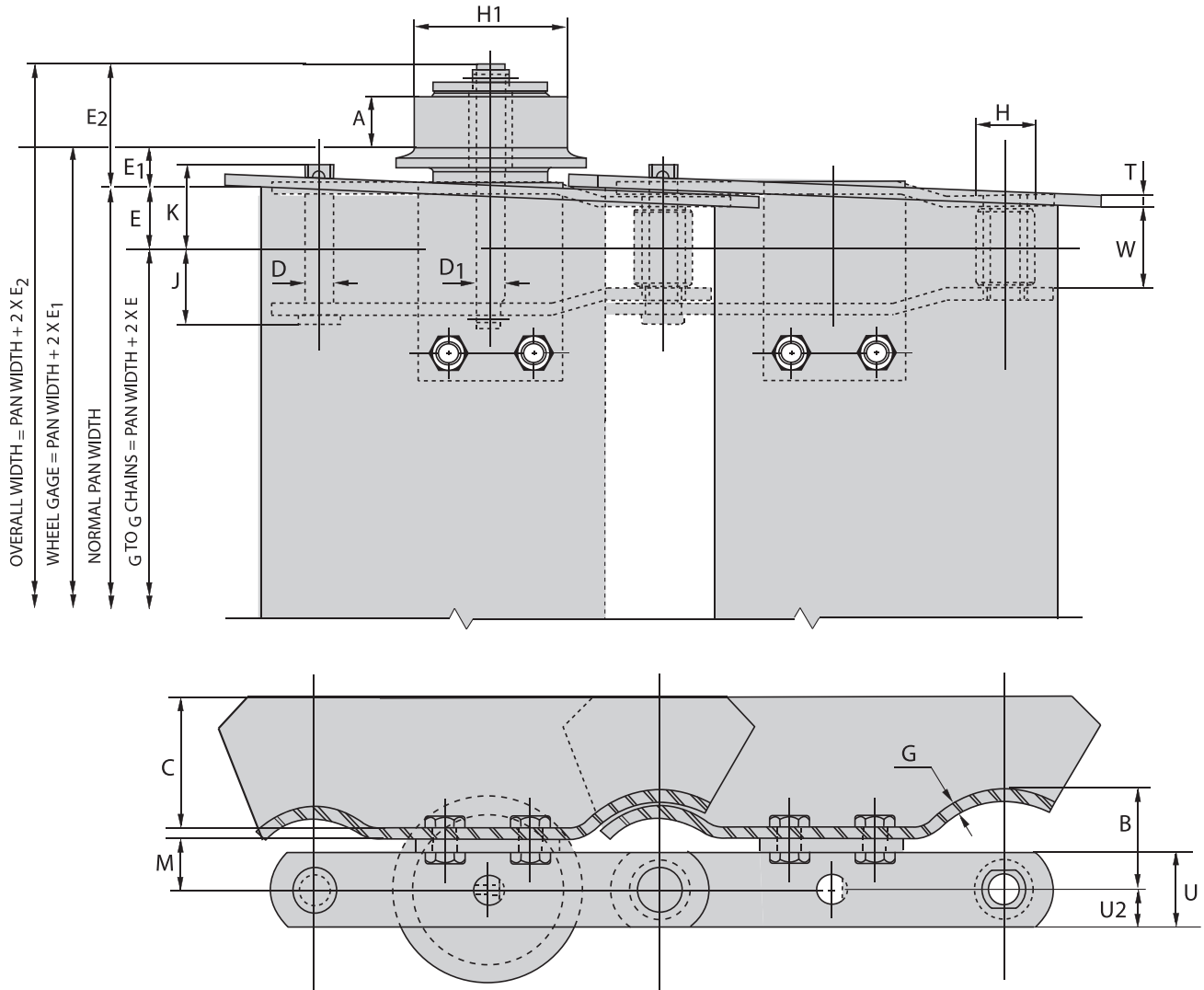


Pan-conveyor chain (rigid execution)





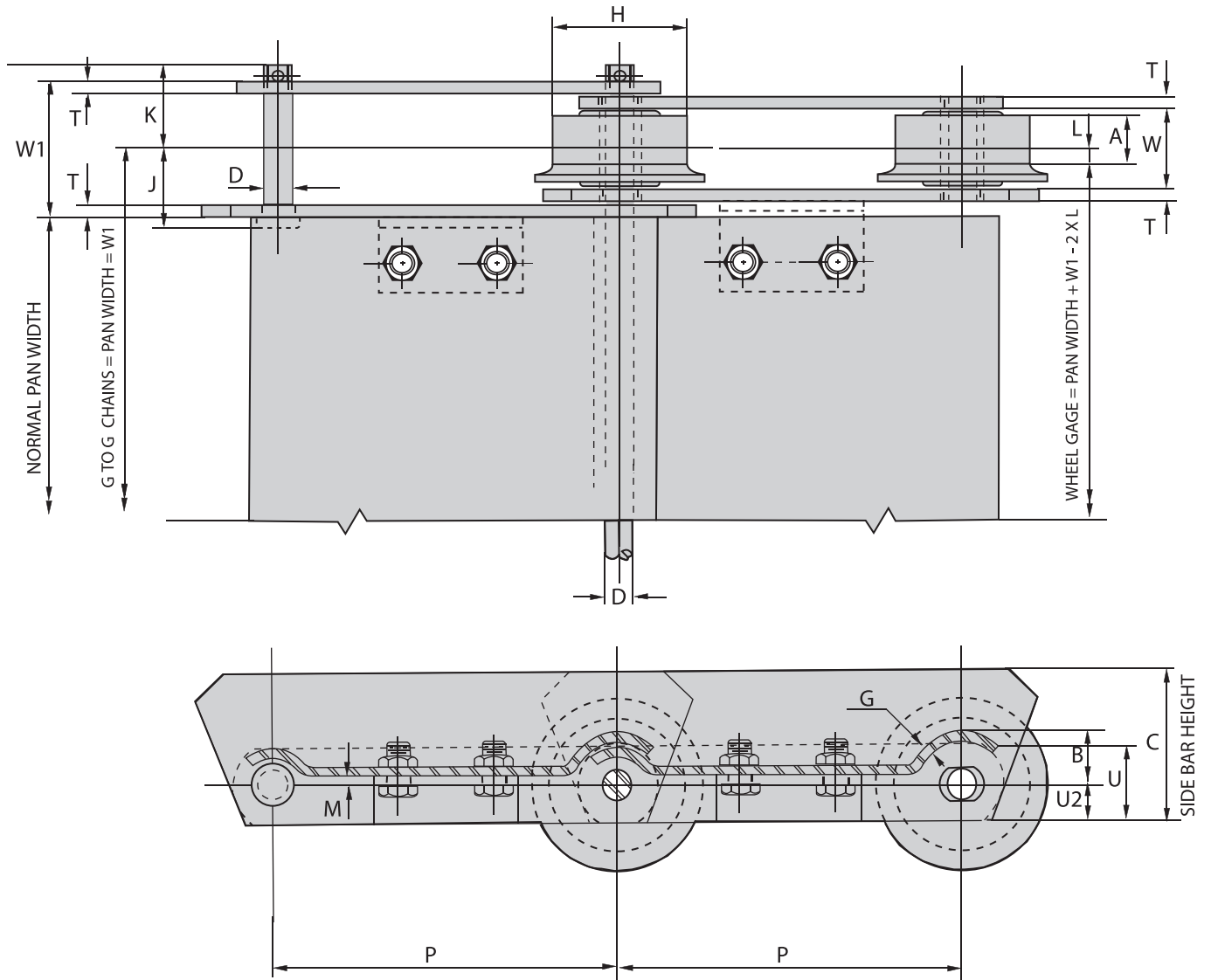
Chains for pan-and apron conveyors



PAN-CONV.etc...



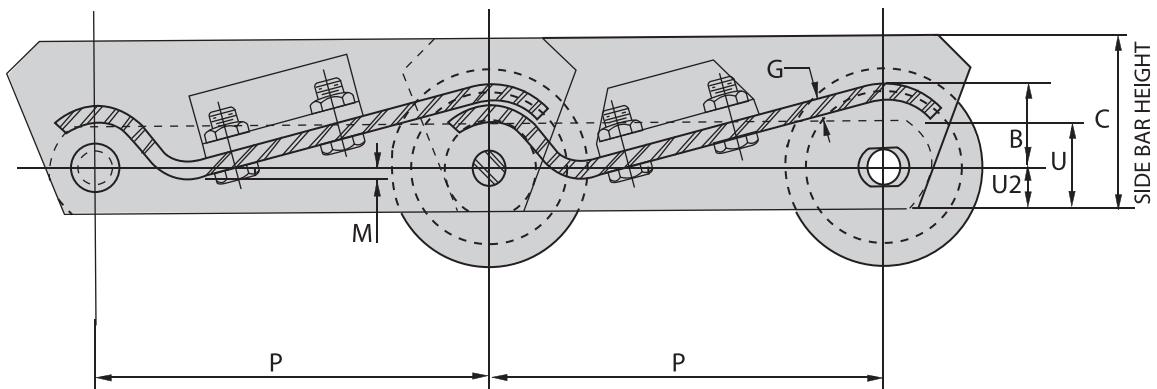
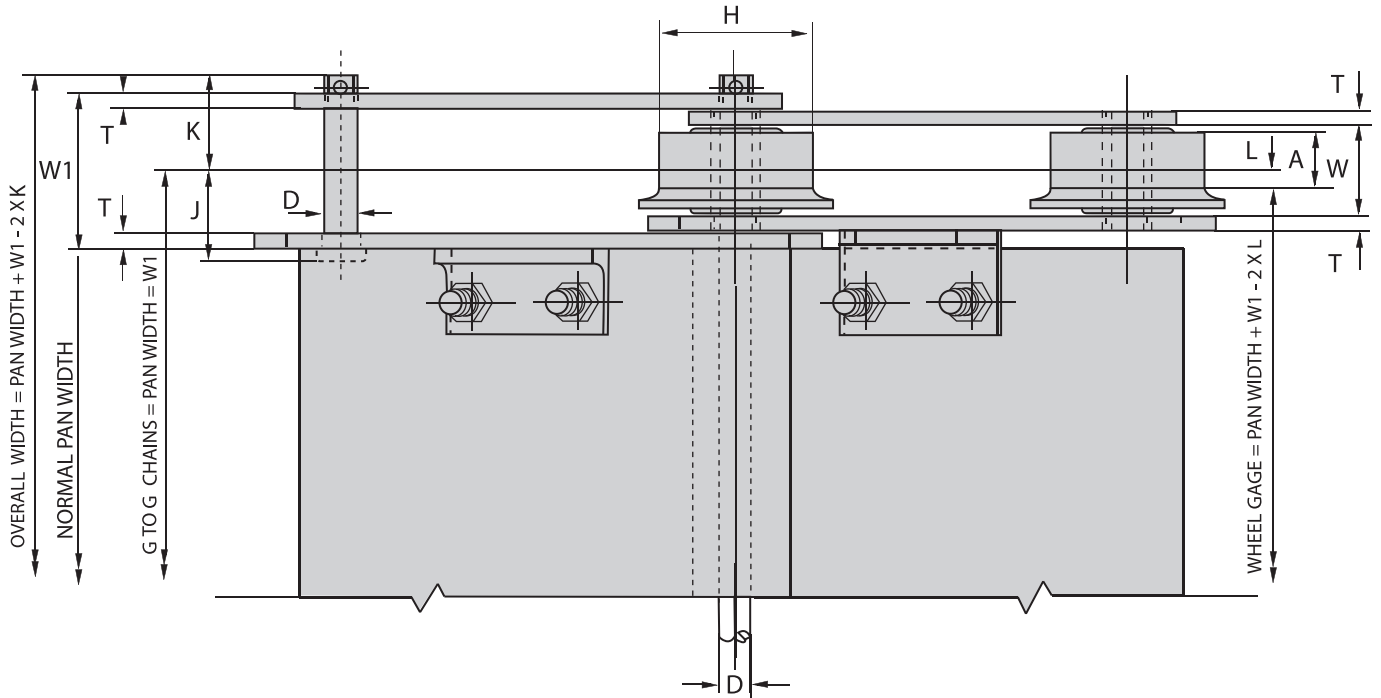
Chains for pan-and apron conveyors



PAN-CONV.etc....



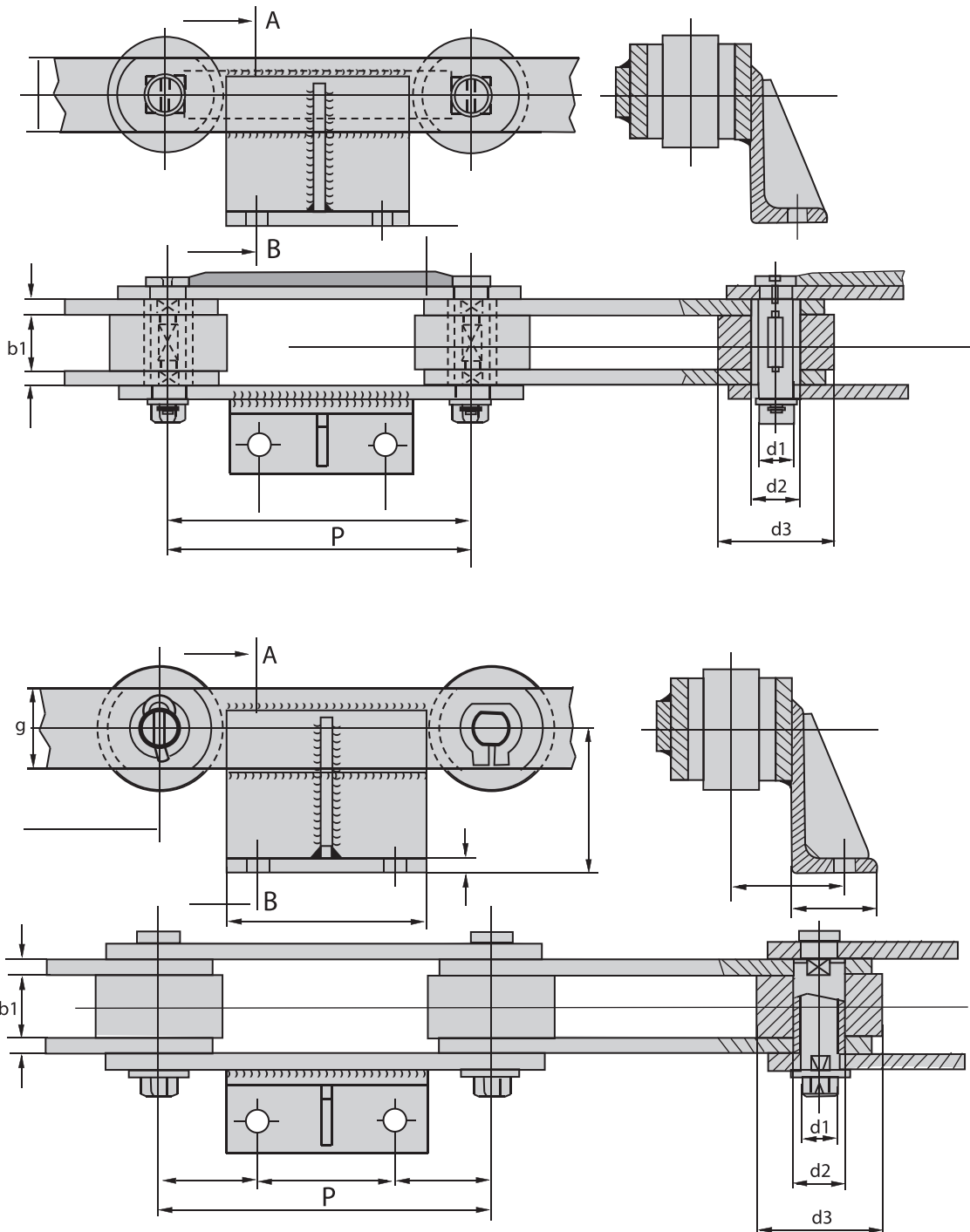
Chains for pan-and apron conveyors



PAN-CONV.etc...



Chains for scrapers

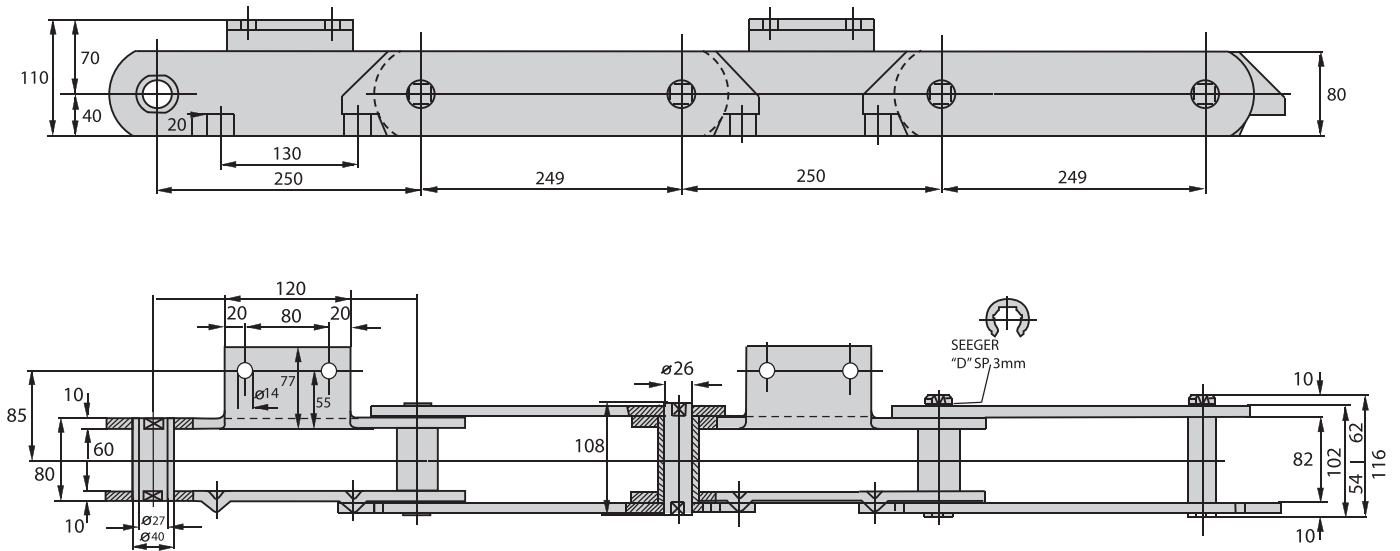


PAN-CONV.etc...

Please mention on this drawing all the required dimensions of your chain and send it together with your enquiry.

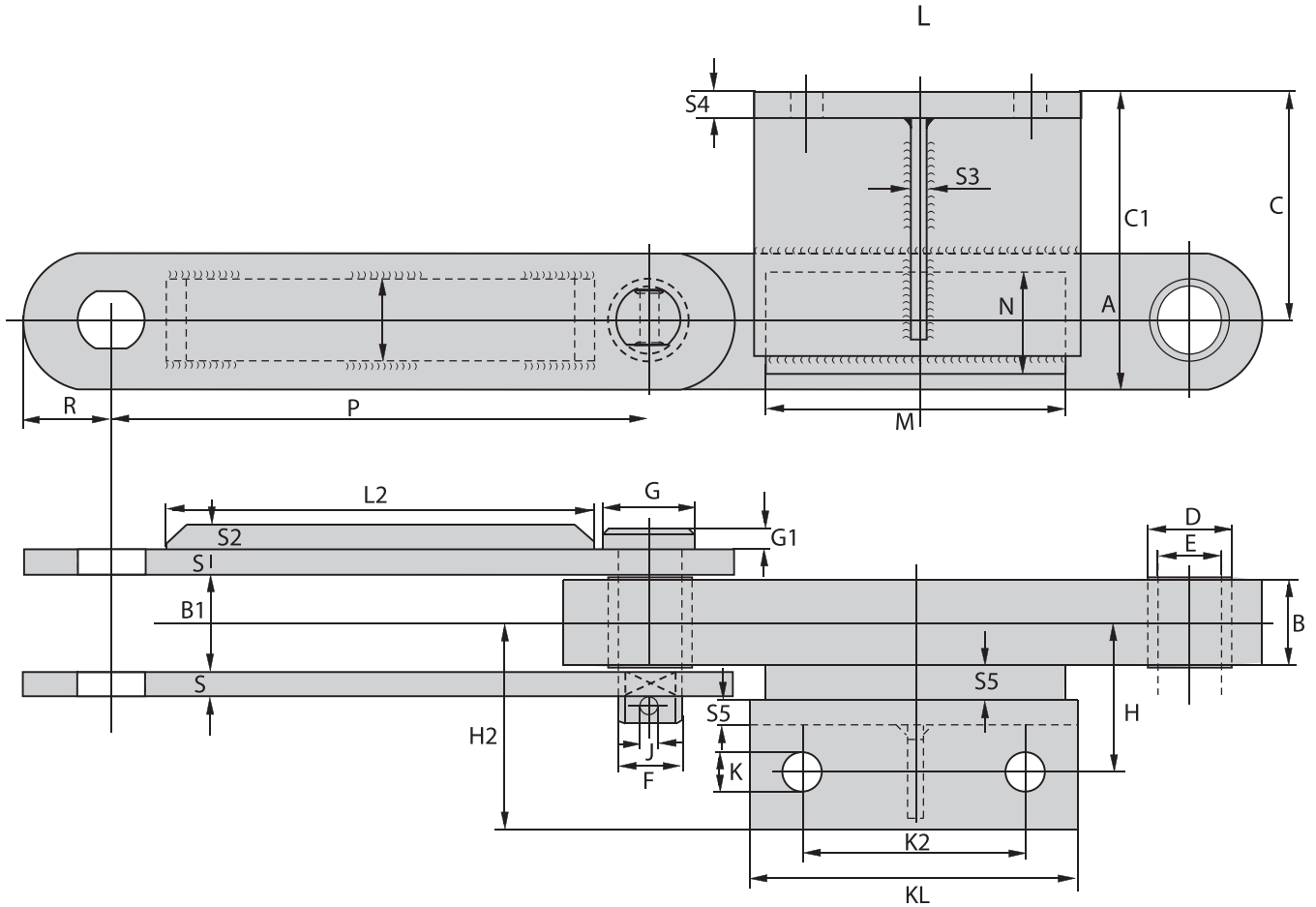


Chains for scrapers





Block chains

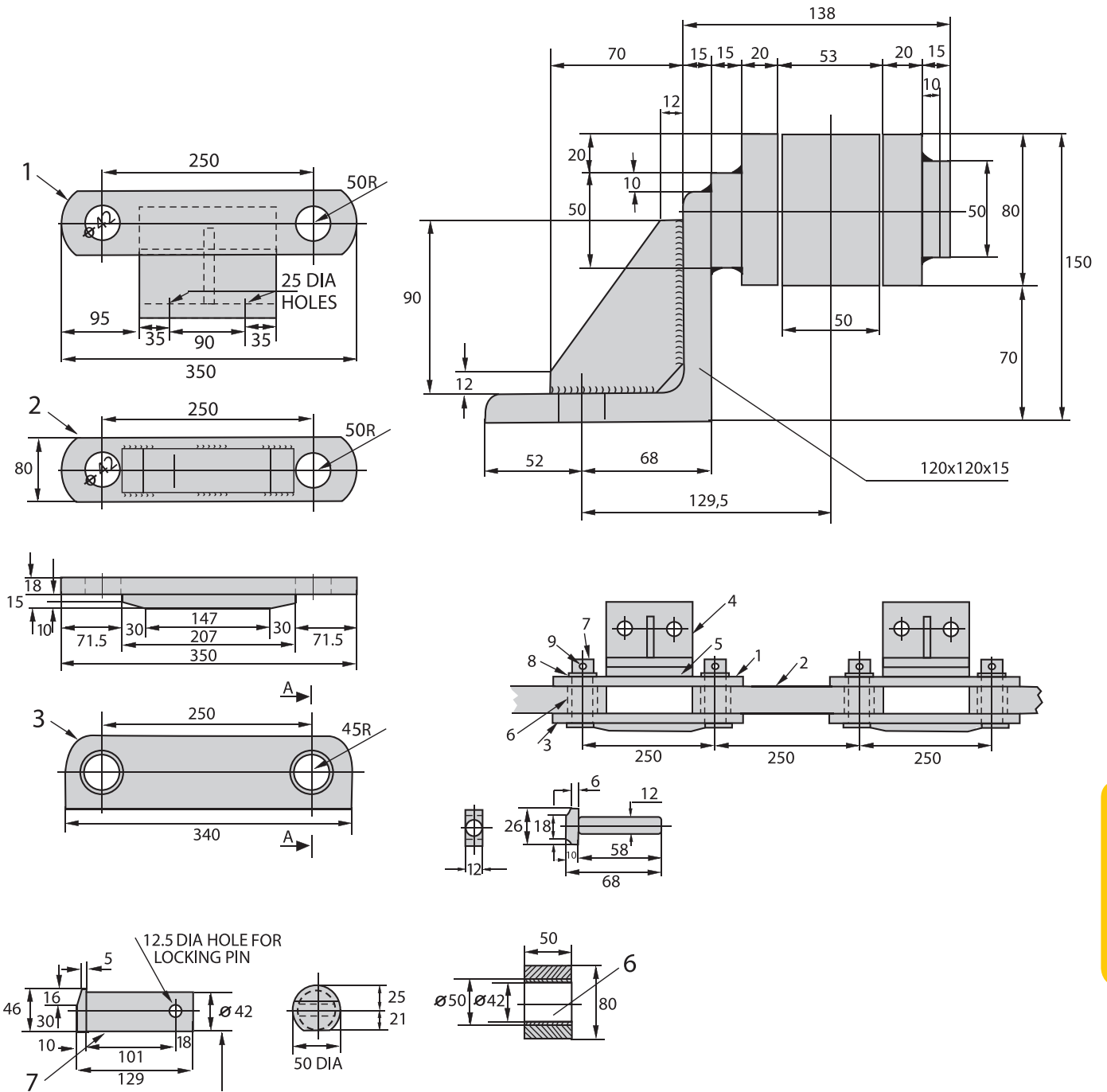


PAN-CONV.etc....

Please mention on this drawing all the required dimensions of your chain and send it together with your enquiry.



Block chains

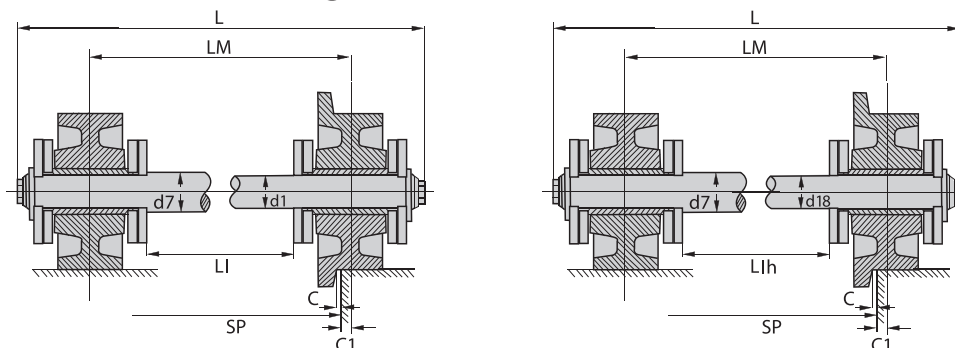


PAN-CONV.etc...

Other dimensions available.



Some other chains for apron-conveyor with shafts through both strands

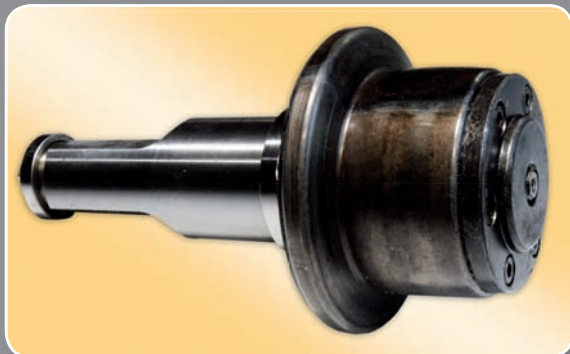


DIN Nr.	d1 mm	d18 mm	d7 mm	c1 mm	c mm	SP mm																		
						250	315	400	500	630	800	1000	1250	1400	1600	1800	2000							
FV 40	10	-	12	3,0	1,0	LM	256	321	406	506	636													
						LI	224,5	289,5	374,5	474,5	604,5													
						L	295	360	445	545	675													
FV 63	12	8	14	3,5	1,5	LM	257	322	407	507	637	807												
						LI	217,5	282,5	367,5	467,5	597,5	767,5												
						L	312	377	462	562	692	862												
						Lih	215	280	365	465	595	765												
FV 90	14	-	18	4,2	2,0	LM	259	324	409	509	639	809	1009											
						LI	212	277	362	462	592	762	962											
						L	325	390	475	575	705	875	1075											
						Lih	208	273	358	458	588	758	958											
FV 140	18	12	20	6,0	3,0	LM	262	327	412	512	642	812	1012	1262										
						LI	201	266	351	451	581	751	951	1201										
						L	350	415	500	600	730	900	1100	1350										
						Lih	197	262	347	447	577	747	947	1147										
FV 180	20	-	24	10,0	3,0	LM	270	335	420	520	650	820	1020	1270	1420	1620	1820	2020						
						LI	190	255	340	440	570	740	940	1190	1340	1540	1740	1940						
						L	374	439	524	624	754	924	1124	1374	1524	1724	1924	2124						
						Lih	185	250	335	435	565	735	935	1185	1335	1535	1735							
FV 250	26	18	30	11,5	3,5	LM	273	338	423	523	653	823	1023	1273	1423	1623	1823	2032						
						LI	183	248	333	433	563	733	933	1183	1333	1533	1733	1933						
						L	395	460	545	645	775	945	1145	1395	1545	1745	1945	2145						
						Lih	177	242	327	427	557	727	927	1127	1327	1527	1727							
FV 315	30	-	34	14,5	3,5	LM	279	344	429	529	659	829	1029	1279	1429	1629	1829	2029						
						LI	171	236	321	421	551	721	921	1171	1321	1521	1721	1921						
						L	425	490	575	675	805	975	1175	1425	1575	1775	1975	2175						
						Lh	164	229	314	414	544	714	914	1164	1314	1514	1714							
FV 500	36	26	40	17,5	3,5	LM		350	435	535	665	835	1035	1285	1435	1635	1835	2035						
						LI		218	303	403	533	703	903	1153	1303	1503	1703	1903						
						L		517	602	702	832	1002	1202	1452	1602	1802	2002	2202						
						Lih		210	295	395	525	695	895	1145	1295	1495	1695	1895						
FV 900	42	-	45	22,5	4,5	LM			445	545	675	845	1045	1295	1445	1645	1845	2045						
						LI			293	393	523	693	893	1143	1293	1493	1693	1893						
						L			640	740	870	1040	1240	1490	1640	1840	2040	2240						
						Lih			284	384	514	684	884	1134	1284	1484	1684	1884						
FV 1200	50	30	55	32,0	4,5	LM				651	751	881	1051	1251	1501	1651	1851	2051	2251					
						LI					376	506	676	876	1126	1276	1476	1676	1876					
						L					798	928	1098	1298	1548	1698	1898	2098	2298					
						Lih					366	496	666	866	1116	1266	1466	1666	1866					
FV 1400	60	-	65	41,5	436,0	LM						713	883	1083	1333	1483	1683	1883	2083					
						LI						499	669	869	1119	1269	1469	1669	1869					
						L						994	1164	1364	1614	1764	1964	2164	2364					
						Lih						485	655	855	1105	1255	1455	1655	1855					
											1006	1176	1376	1626	1776	1976	2176	2376						

Base chain dimensions, see chapter "conveyor chains" DIN 8165.



View on products in our range
Special customer-made
(please consult us with drawings and samples)



PAN-CONV. etc...